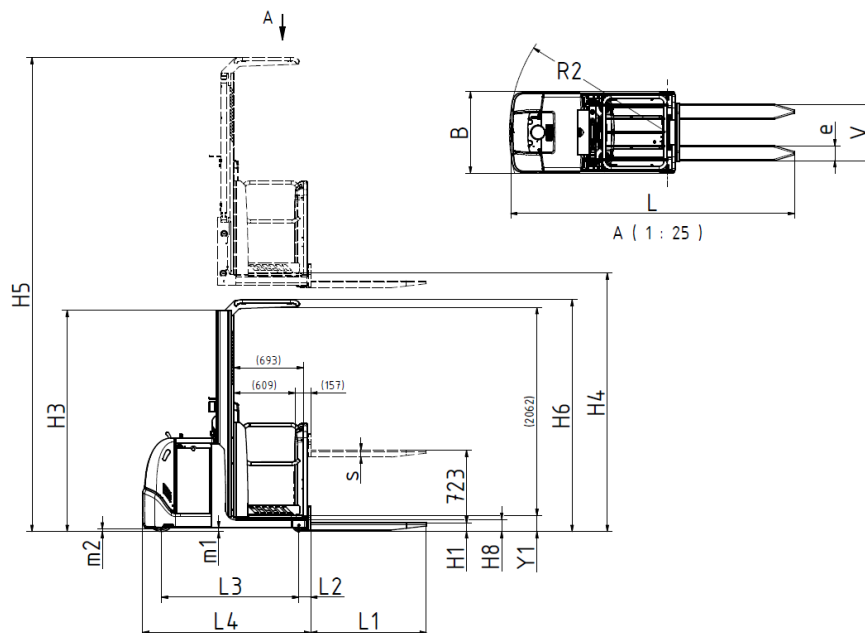


MEDIUM LEVEL ORDER PICKER

EPL 100 (Platform Lift Height 1800 mm)

State-of-the-art ergonomics and excellent lift/drive performance to give high levels of productivity.



Mast Type	Standard lift height H4	Min mast height H3	Max mast height H5
Telescopic	1730	2196	2196
Double telescopic			

Lift capacities	0	Specification			EPL 100 (Platform Lift Height 1800 mm)
	0a	Straddle leg position			Narrow
	1	Lift capacity	Q	kg	1000
	1a	Load centre	D	mm	400-600
	2	Lift height	H4	mm	1130
	2a	Mast height	H3/H5	mm	2196
	2b	Transport free lift	H2 TV mast	mm	
	2c	Full free lift	H2 DT mast	mm	
	2d	Straddle lift		mm	
	3	Mast tilt. Forward - backward			
	3a	Tilting forks. Forward - backward			
	4	Lift speed. Without load - with load		m/s	0,19/0,11
	4a	Lift time. Without load - with load		s	
	4b	Lift speed, ergolift. Without load - with load		m/s	
	Drive capacities	5	Lowering speed. Without load - with load		m/s
5a		Lowering time. Without load - with load		s	
6		Drive speed. Without load - with load		km/h	9/12
6a		Drive speed. Without load - with load		m/s	
		Acceleration 0-10 m			
		Without load - with load		s	
8		Gradient, without load / with load	max	%	10,3%/18%
10		Turning radius	R2	mm	1570
11		Smallest practical stacking aisle incl 200 mm play			
		Load length 1200 mm	Ast	mm	3131
		Load length 1000 mm	Ast	mm	3023
		Load length 800 mm	Ast	mm	2852
		Aisle width requirement according to BITA GN9 UK market only	A1	mm	
			A2	mm	
			A3	mm	
	Smallest practical stacking aisle with pallet LL 1200 with the platform folded up/folded down	Min	mm		
11a	Intersecting aisle width. Load length 1200 mm	Min	mm		
11c	Max load length	LL	mm		
11d	Max load width	LB	mm		
Truck measurements	13	Height of overhead guard	H6	mm	2300
	13a	Height of driver seat	H7	mm	160/1800
	13b	Step-in height	Y1	mm	160/1800
	13c	Floor height		mm	160
	13d	Width of open gate		mm	522
	14	Truck length	L	mm	2825
	15	Truck width	B	mm	810
	15a	Width over guide wheels	A	mm	
	15b	Width over stabilisers	S	mm	
	15c	Platform length		mm	746
	15d	Platform width	B3	mm	780
	15e	Height of platform gates		mm	
	16	Fork length	L1	mm	70/147/1150
	17	Width over forks	V max/min	mm	450/800
	17a	Width between forks		mm	
	18	Reach length	U	mm	
	19	Distance from back plate to retracted fork heel	L4 T-mast	mm	1675
		Distance from back plate to retracted fork heel	L4 DT-mast	mm	
	20	Fork arm, width - thickness	B1	mm	70/147/1150
	20a	Fork height, lowered, max	H1	mm	723
	21	Straddle height	H8	mm	115
	22	Width between straddles	B2	mm	
	22a	Width over straddles		mm	
	23	Distance between front axle and retracted fork heel	L2	mm	Ergo lift 120
	23a	Distance between front axle and centre of attachment	L2	mm	
	23b	Distance between front axle and heel of extended fork	X1	mm	
24	Axle distance	L3	mm	1365	
25	Wheel track, front rear (centre lines wheels)		mm		
26	Ground clearance at half axle distance		mm	35	
Weights	27	Total weight with-without battery.		kg	1100/1650
	28	Max axle pressure, fork side, without/ with classified load		kg	1015/635
	29	Max axle load, drive side, without/with classified load		kg	1015/635
	30	Max wheel point loading, without/with classified load		MPa	
Motors	39	Battery capacity		kWh/Ah	24V/486Ah-600Ah
	39a	Battery voltage		V	24V/486Ah-600Ah
	41	Drive motor		kW	Letrika 2,7kW
	42	Speed regulation			AC Traction
	43	Lift motor. Output/Interm. conn.time		kW-%/min	2,2kW (5%)
43a	Hydraulic pressure		MPa		
Steering/brake system	44	Wheel type, drive wheel/others			Vulcollan
	44a	Number of wheels, drive/castor - load wheels			1/2
	45	Wheel dimensions			
	45a	Load wheels - diameter x width		mm	120/115
	45b	Drive wheel - diameter x width		mm	250/105
	45c	Castor wheels - diameter x width		mm	
	46	Steering			El. servo
47	Service brake - Type-acting on			El. - magnetic	
48	Parking brake - Type-acting on.			Electric	

* Varies according to battery size

All rights reserved to change above specification